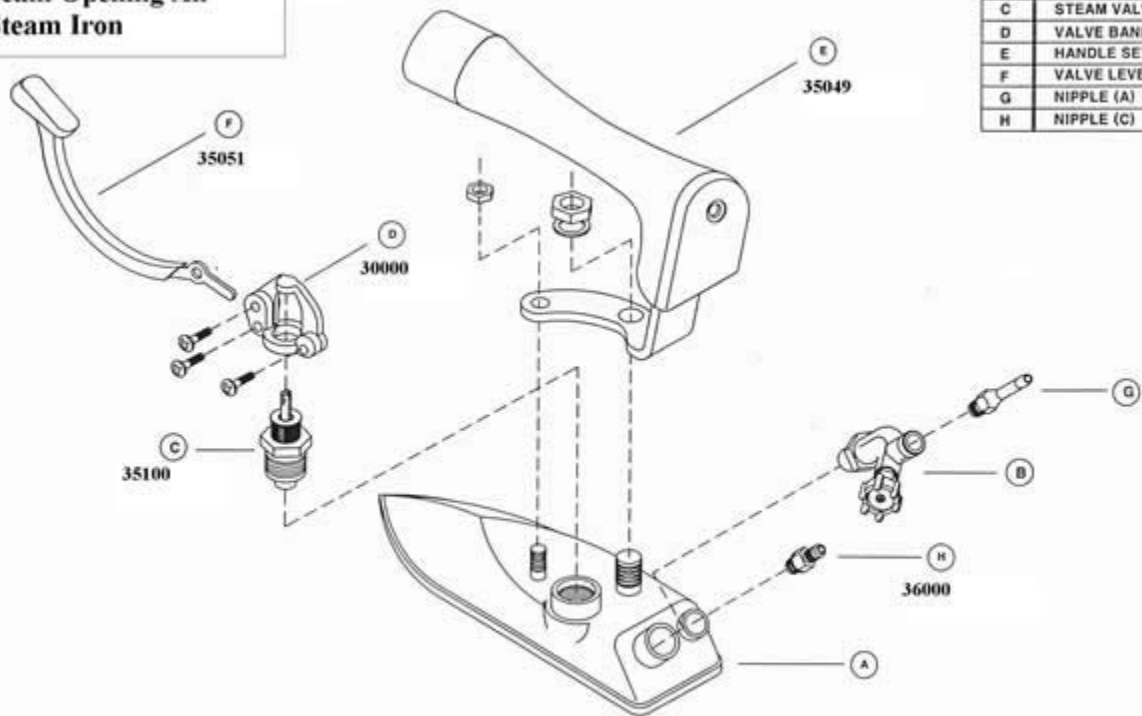


**Ace-Hi / AHP-2P  
Seam Opening All  
Steam Iron**

| NO. | DESCRIPTION     |
|-----|-----------------|
| A   | BASE            |
| B   | EXIT VALVE SET  |
| C   | STEAM VALVE SET |
| D   | VALVE BAND SET  |
| E   | HANDLE SET      |
| F   | VALVE LEVER     |
| G   | NIPPLE (A)      |
| H   | NIPPLE (C)      |



36000